



ENGINEERING CERTIFICATE

Certificate No: RWT-PL001/12
Rev D

Equipment Type:	20' CSC Platform	
Client:	Royal Wolf Trading Pty Ltd.	
Manufacture Location:	Varies	
Date:	10 th October 2014	
Referenced Documents:	RWT-CSC-PL001-005-A	Arrangement Drawing
	RWT-CSC-PL001-004-A	Manufacturing Drawing
	RWT-CSC-PL007-001-A	Permissible Concentrated Actions
	RWT-CSC-PL001-CLC-001-A	Calculations

We hereby certify that *the 20' Platform Container* will remain structurally sound when used in accordance with the data nominated in Section 1.2 - Operational Parameters. Applicable restrictions are nominated in Section 2 - Conditions of Issue of Certificate.

Certified by,

Steven Jon Brown B.Eng, MIEAust.

Manager – Design and Innovation

ROYAL WOLF TRADING PTY LTD



1. Design Data

1.1 Standards and Codes

The above mentioned *20' Platform Container* has been designed and manufactured in accordance with the applicable requirements of the standards listed within Table 1.1 below.

Table 1.1 – Standards

Item	Designation	Description
1.	ISO 830	Freight containers-Terminology
2.	ISO 1161	Specification of corner fittings for series 1 freight containers
3.	ISO 1496-1	Specification and testing of series 1 freight containers. Part 1: General cargo containers for general purposes
4.	ISO 6346	Coding, identification and marking for freight containers
5.	AS 1170	Structural Design Actions – General Principles
6.	AS 1170.1	Structural Design Actions – Permanent, Imposed, & Other Actions
7.	AS 3990	Mechanical Equipment - Steelwork

1.2 Operational Parameters

Allowable operating parameters relevant to the *20' Platform Container* are summarised in Table 1.2 below.

Table 1.2 – Allowable Operating Parameters

Item	Parameter	Value	Unit		
1.	Rated Capacity as Container				
2.	Payload	15,000	kg		
3.	Rated Capacity as Platform / Hoarding System				
4.	Uniformly Distributed Load (UDL)	10	kPa		
5.	Concentrated Actions ⁽¹⁾	Anywhere on platform	3.0	kN	
6.		Primary longitudinal members	1.0m crs ⁽²⁾	15	kN
7.			2.0m crs ⁽³⁾	30	kN

(1) Refer drawing RWT-CSC-PL007-001-A (Appendix A) for details

(2) Concentrated actions loaded through primary longitudinal members at centres > 1.0m

(3) Concentrated actions loaded through primary longitudinal members at centres > 2.0m



2. Conditions of Issue of Certificate

The validity of this engineering certificate is dependent on the following conditions:

- 1) This engineering design certificate is issued based on the, manufacturing drawings and calculations nominated as referenced documents
- 2) The equipment is not permitted for use as a container and platform concurrently
- 3) Certification is issued on the understanding that the equipment is manufactured in accordance with the design drawings and specified standards
- 4) This certification shall not be construed as relieving any party of their responsibilities, liabilities, or contractual obligations
- 5) This certificate does not imply any warranty against damage or personal injury incurred due to modifications made to the platforms unless approved in writing by an authorised Royal Wolf Trading engineer
- 6) This certificate does not imply any warranty against damage or personal injury incurred due to improper installation, ground support, and/or hold down anchorages to ensure stability on the particular site
- 7) Design and certification of footings or counter weighting required for stability on any particular job site is explicitly excluded from supply
- 8) This certificate is limited to the loads and design actions applied to the 20' Platform, as directly stated in Table 1.2. All other loading conditions, whether it be due to the attachment of other equipment, on-site installation, or otherwise shall void this certification
- 9) Concentrated actions shall be limited to the values prescribed in Table 1.2, and depicted on drawing RWT-CSC-PL007-001, Revision A (refer Appendix A)



Appendix A Permissible Concentrated Actions

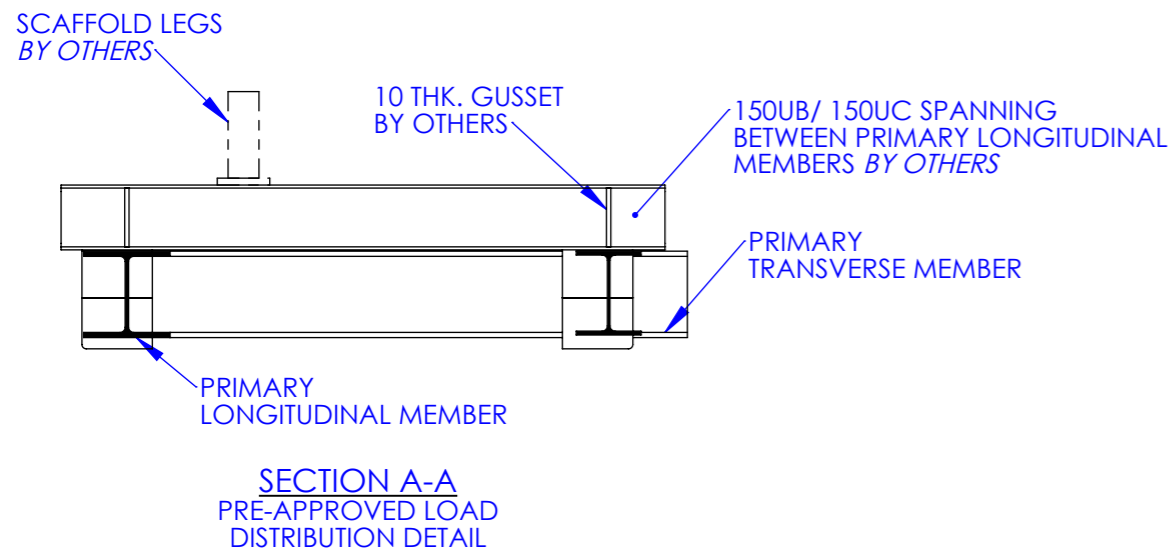
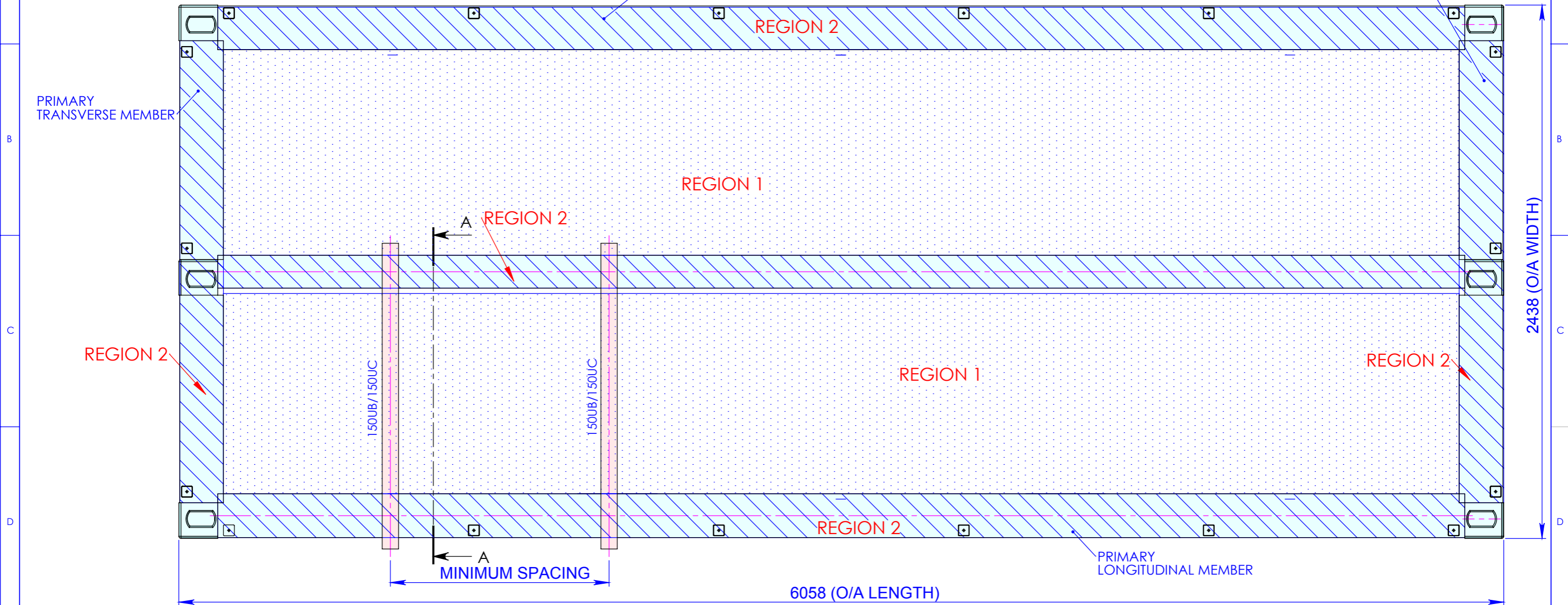
A.1 RWT-CSC-PL007-001, Revision A

REGION	MINIMUM SPACING	LOAD
1	N/A	3 kN
2	1.0 m	15 kN
	2.0 m	30 kN

ALL DOTTED AREAS REGION 1

ALL CROSS HATCHED AREAS REGION 2

REVISIONS					
REV.	ZONE	DESCRIPTION	DATE	BY	APPROVED
A		ORIGINAL ISSUE	22/10/2014	RAM	PB



GENERAL NOTES

1. CONCENTRATED ACTIONS SUCH AS THOSE RESULTING FROM SCAFFOLD LEGS SHALL BE LIMITED IN ACCORDANCE WITH TABLE 1
2. CONCENTRATED ACTIONS > 3-kN OCCURRING IN 'REGION 1' SHALL BE DISTRIBUTED TO THE PRIMARY LONGITUDINAL MEMBERS IN ACCORDANCE WITH THE PRE-APPROVED DETAIL PROVIDED IN SECTION A-A
3. ALTERNATIVE LOAD DISTRIBUTION DETAILS MAY BE USED PROVIDED THEY ARE APPROVED IN WRITING BY AN AUTHORISED ENGINEER
4. LOAD DISTRIBUTION BEAMS SHALL BE FIXED TO THE PLATFORM STRUCTURE TO PREVENT UNPLANNED MOVEMENT
5. CONCENTRATED ACTIONS OCCURRING IN 'REGION 2' SHALL BE SEPARATED BY THE MINIMUM SPACINGS SPECIFIED IN TABLE 1

FOR INFORMATION ONLY

<p>Royal Wolf Trading ABN 38 069 244 417 Suite 202, Lvl 2, 22-28 Edgeworth-David Ave Hornsby 2077 P.O. Box 834 Hornsby, NSW, 2077 Ph +61 2 9482 3466 Fx +61 2 9482 3477</p>	PAPER	A3	CLIENT	ROYAL WOLF TRADING
	SCALE	STATED	PROJECT	20' PLATFORM
	MASS	1420.03 KG	AREA	BUILDING & CONSTRUCTION
	DESIGNED	RAM 22/10/2014	DRAWING TITLE	PERMISSIBLE CONCENTRATED ACTIONS
DRAWN	RAM 22/10/2014	FURTHER DESCRIPTION		
CHECKED	SB 22/10/2014			
RWT APP.	PB 22/10/2014			
CLIENT APP.	---			
GENERAL FABRICATION TOLERANCES				
0-50 mm ; ±0.5 mm				
51mm-1M ; ±1.0 mm				
1.001M - 6.1 M ; ±2.0 mm				
6.101 M - 13 M ; ±3.0 mm				

THIS DRAWING IS THE PROPERTY OF ROYAL WOLF TRADING PTY LTD AND IS CONDITIONALLY LOANED TO THE RECIPIENT WHO BY RECEIVING IT HAS AGREED NOT TO REPRODUCE IT IN WHOLE OR IN PART, NOR MAKE ANY USE OF IT THAT HAS NOT BEEN APPROVED IN WRITING BY ROYAL WOLF TRADING PTY LTD		
SHEET	REVISION	REVISION DATE
SHEET 1 OF 1	A	22/10/2014
DRAWING NUMBER		
RWT-CSC-PL007-001		